

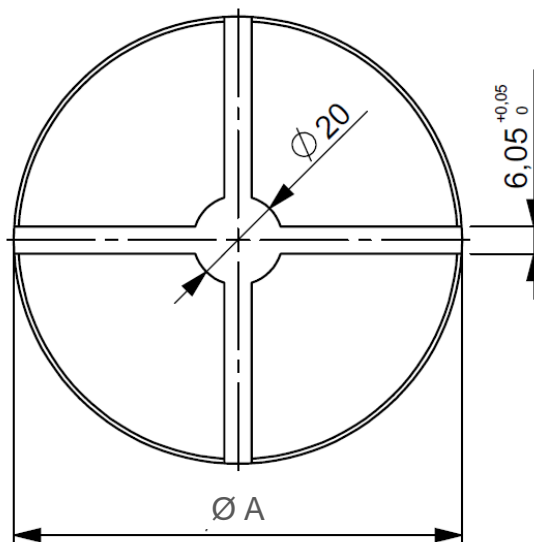
Design Guide – Calibration Adapter

To calibrate the torque sensor system it is necessary to mount the shaft in a test rig. For this purpose NCTE needs special adapters which allows torque transmission. One side of the adapter correlates to the end of the sensor shaft. The second side (NCTE specific side) has to offer a cross with the following dimensions:

Negative layout: cross machined
Notch width: 6,05 mm +0,10
Notch depth: 6,0 mm
Inner diameter: 20 mm

or

Positive layout: cross raised
Width: 6,0 mm -0,10
Height: 5,0 mm
Inner diameter: 20 mm



The minimum overall diameter of the adapter (diameter A) must be at least 50mm.

Below you find some examples which show different adapter solutions:

